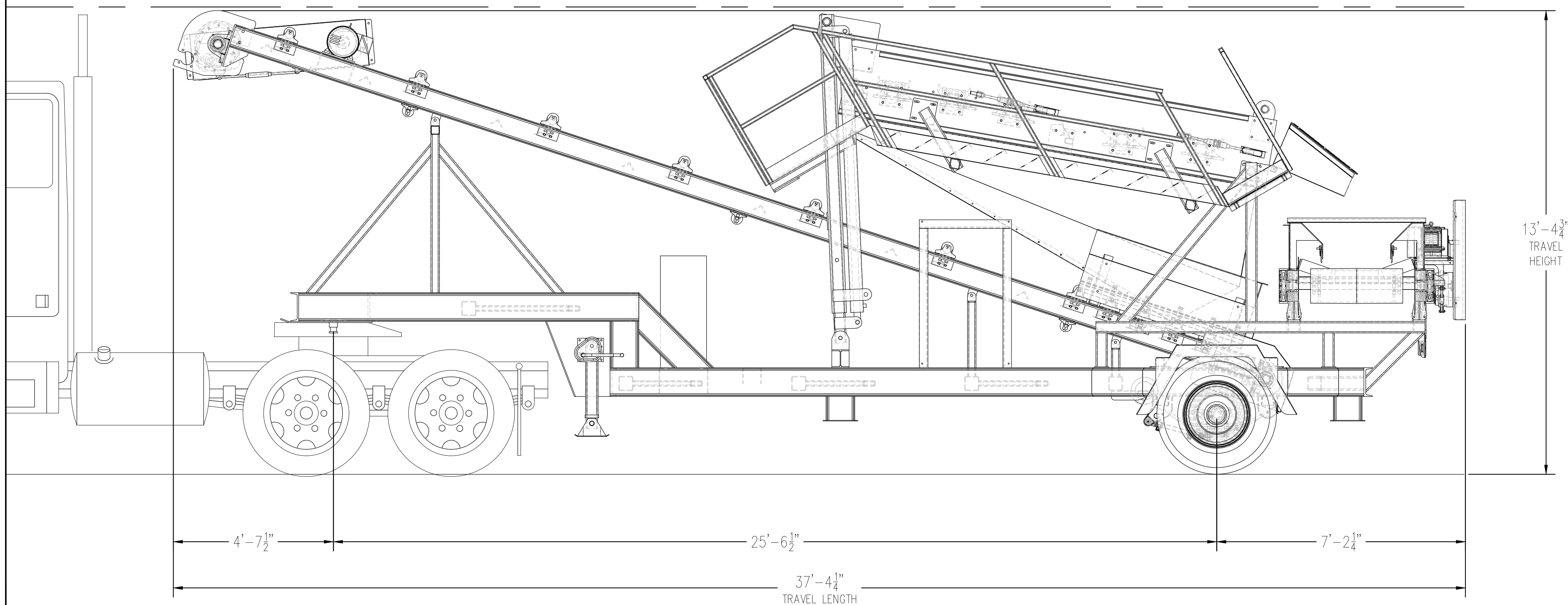
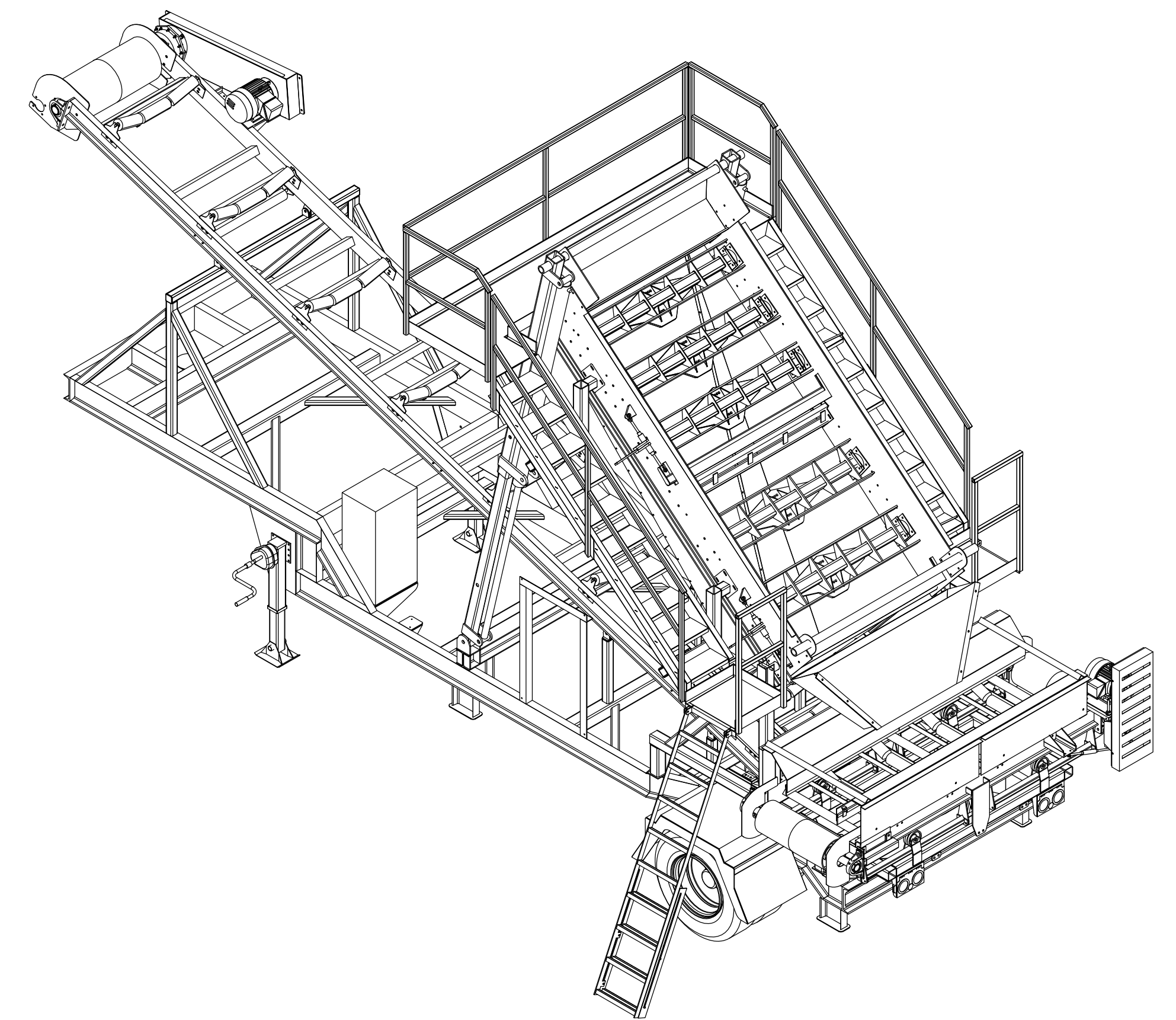
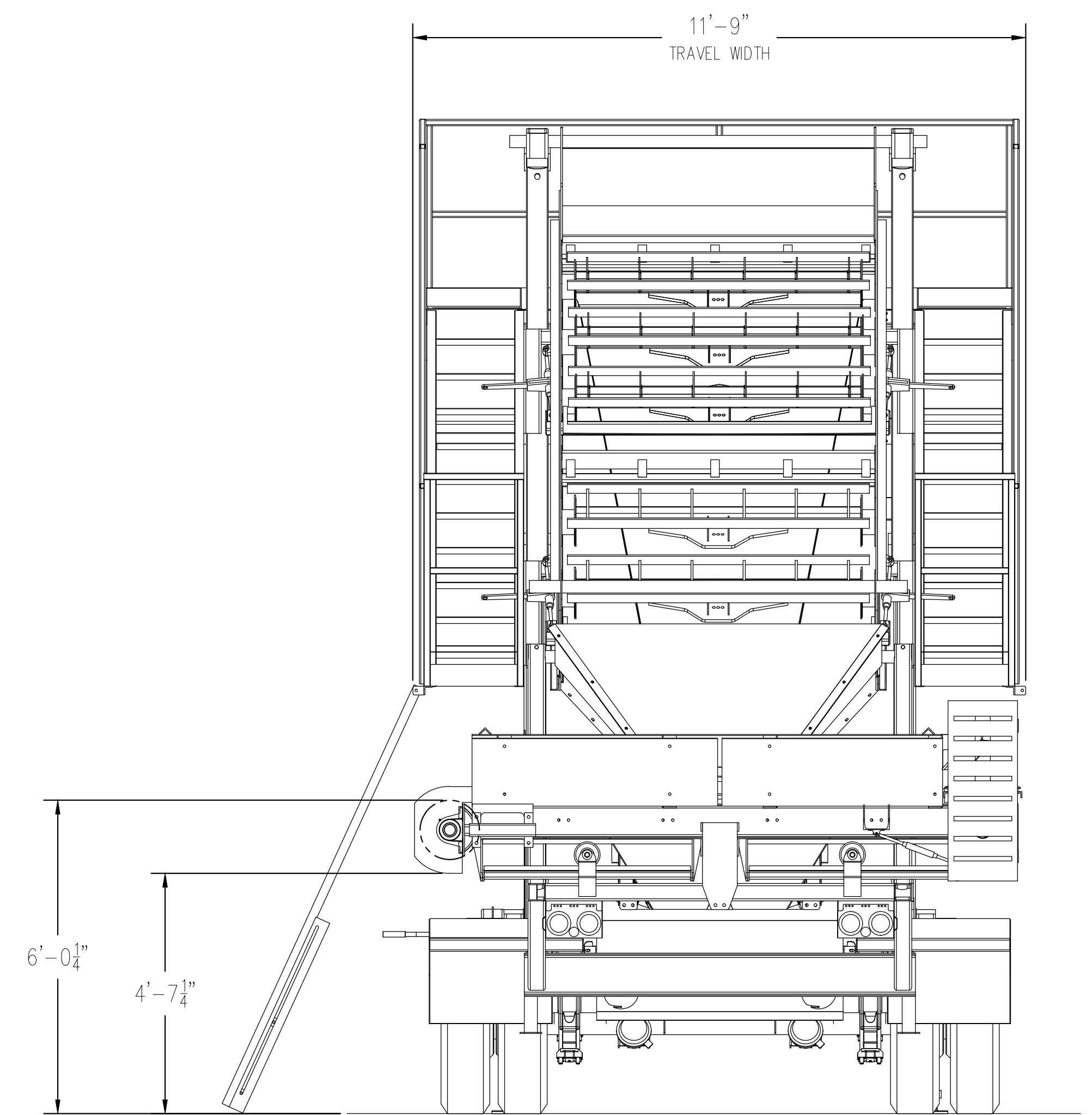
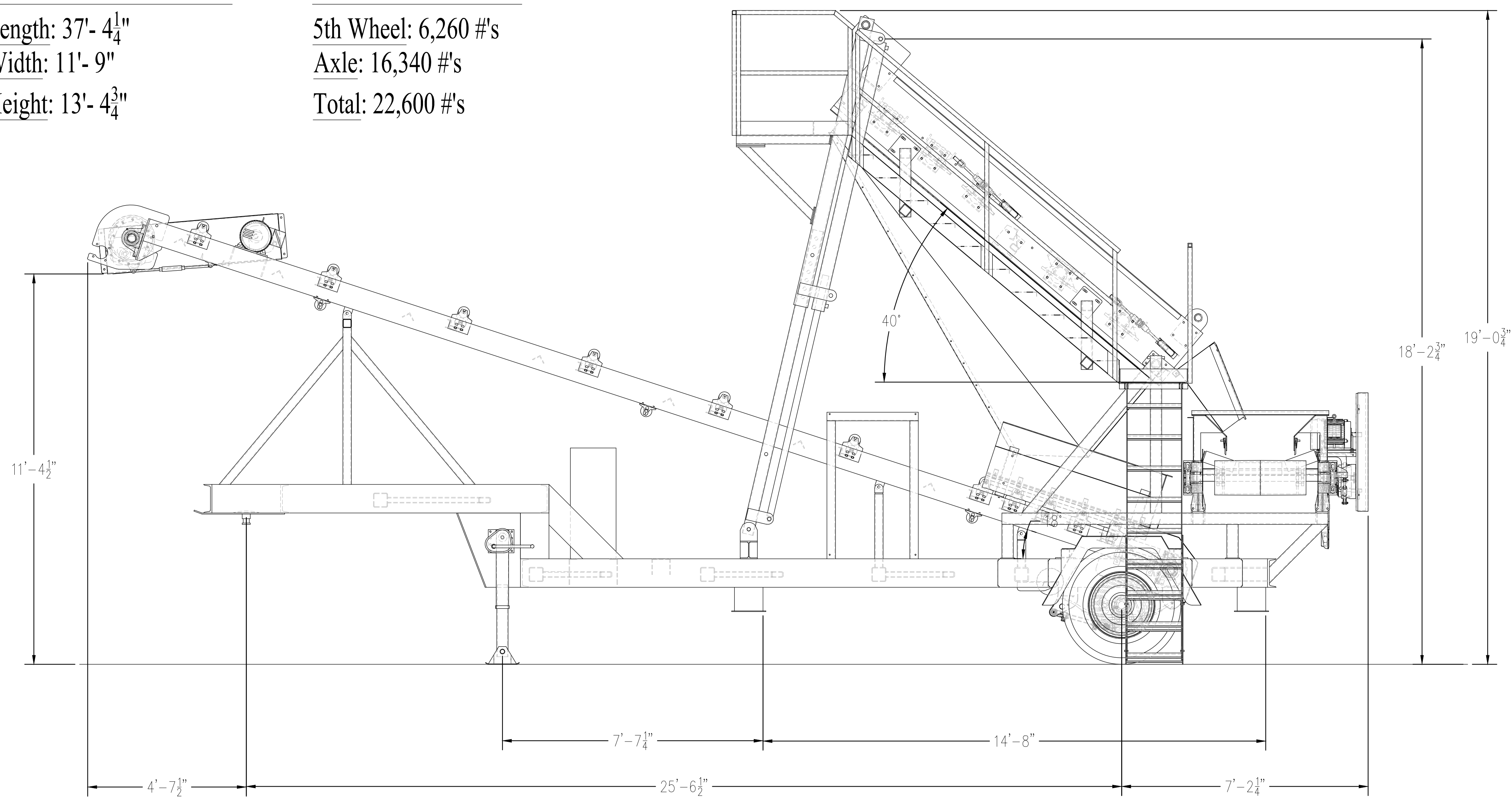



SHIPPING DIMENSIONS

Length: 37'-4 $\frac{1}{4}$ "
 Width: 11'-9"
 Height: 13'-4 $\frac{3}{4}$ "

SHIPPING WEIGHTS

5th Wheel: 6,260 #'s
 Axle: 16,340 #'s
 Total: 22,600 #'s



REVISIONS				TCI MANUFACTURING AND EQUIPMENT SALES, INC. P.O. BOX 306 WALNUT, IL 61376 PHONE: (815) 379-2090 E-MAIL: ENGINEERING@TCIMFG.COM FAX: (815) 379-2690
NO.	DATE	BY		
1				
2				
3				
4				
5			SCALE: 1/2"=1'-0"	TITLE: TCI- PORTABLE TRUCK FRAME
6			DATE: 1/28/15	6X12SD- 36" DISCHARGE CONVEYOR/30" OVERS CONVEYOR
7			DRAWN BY: BOB	CHK'D BY: SHEET 1 OF 1 DWG #: PTF-01-GA SIZE D